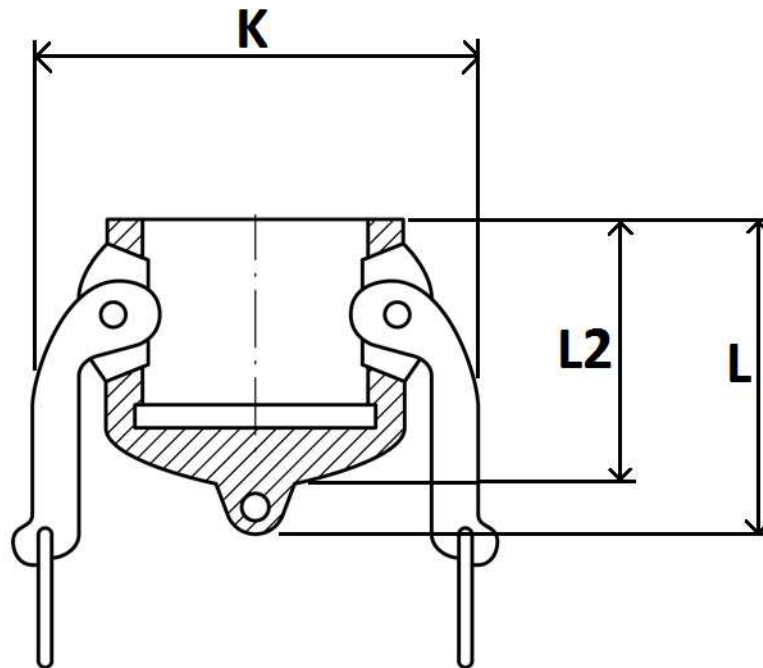


CAMLOCK DIN EN 14420-7

CAMLOCK Unions aluminum

CAMLOCK aluminum cap Type DC



Norm: EN 14420-7 / DIN 2828

PN: 1/2": 150 PSI --- 3/4"-2": 250 PSI --- 3": 125 PSI --- 4": 100 PSI

Part n°	DN	L	L2	K
\$) \$!87#5@	12			
\$+) !87#5@	20	45,5	34,5	60
%\$!87#5@	25			
%&!87#5@	32	61	48	81
%9) \$!87#5@	40	65	49	87
&\$!87#5@	50	68	55	97
&) \$!87#5@	65	70	56	110
' \$!87#5@	80	78	62	130
400-DC/AL	100			

The dimensions in micro-casting parts are approximated in those elements without mechanization.