

HCB
All fluids





- Bulk chemical and petrochemical
- Special chemical
- Biotechnology

- Unloading of wagons, cisterns, tanks.
- transfer and distribution system of fluids and gas odourisation additive.
- Thermoregulation in double envelope reactors.
- Filling / draining drums.
- Main supply for cooling test benches.



Bet on technology...

Performance, reliability

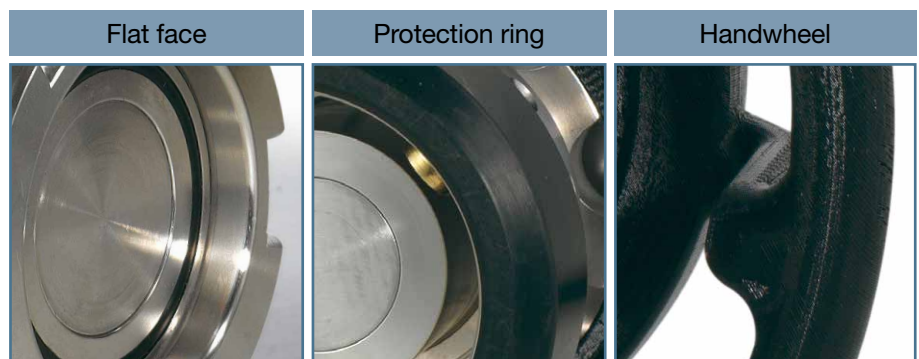
Designed to meet your demands, our HCB couplings ensure the best flow / size ratio and the answer to adapted quality procedures:

- material traceability
- unit function monitoring
- design and endurance
- FDA-compliant with specific seals (please consult us).

Non-spill technology

The HCB range is perfectly non-spill thanks to its flat face design:

- no air enters circuits during connection
- no pollution of environment during disconnection.



The opportunity to spend less and contribute to a sustainable development programme.

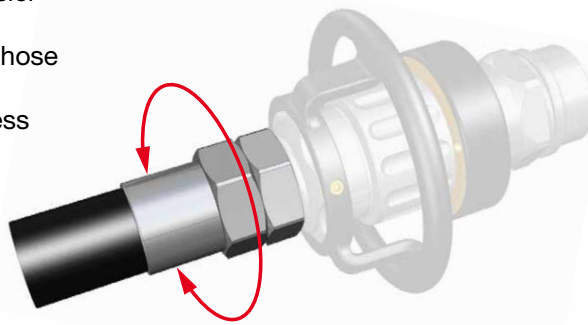
With Stäubli, you can rely on the performance of your equipment, reliability of long-term investments, no workplace pollution.



... Win practicality!

Rapid, easy to handle and safe

- automatic locking at end of process
- optional handwheel for easier connection/disconnection
- rotating connection to the hose allows free movement of the socket; preventing stress or distortion.



Complete lines supplied

Supplied with a flexible hose ensuring sealing throughout the line.

Easy to maintain

Can be maintained without unscrewing the back adaptor off the pipe. Disassembly from the front with an hexagon key. (HCB 37 and HCB 50).





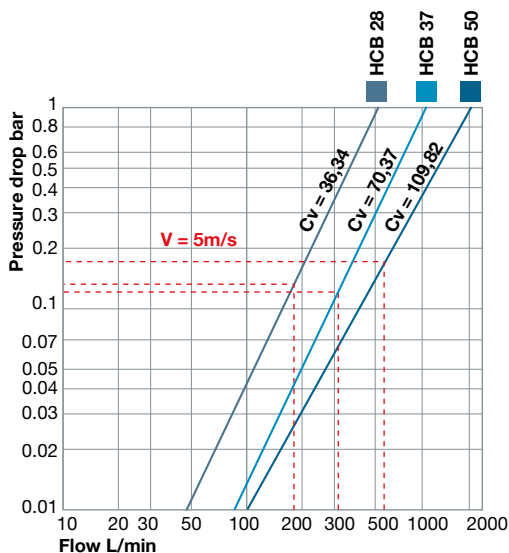
EP n° 1164327

Technical characteristics

	HCB 28	HCB 37	HCB 50	
Type of hose	DN 40	DN 50	DN 80	
Diameter of flow (mm)	28	37	50	
Shutoff	double			
Operating temperature (°C.)	with Nitrile seal	-15° to +100°		
	with fluorocarbon seal (JV)	0° to +200°		
	with ethylene-propylene seal (JE)	-20° to +150°		
	with perfluoroelastomer seal (JK)	0° to +250°		
	protective cap	-20° to +100°		
Maximum working pressure (bar)	50	16	16	
Fluid loss during disconnection under 3 bars (cm ³)	0.26	1.6	2.8	
Weights* (kg)	plug alone	2.850	4.880	8.520
	plug with handwheel	3.270	5.730	9.220
	socket	2.230	3.400	5.630
Handling torque at P = 0 bar (N.m)	13	14	20	

*values for: HCB 28 G 1" 1/4, HCB 37 G 2" et HCB 50 G 3"

Hydraulic flow / pressure drop



Construction

- mainly stainless steel 316 series.

For more information, consult us.


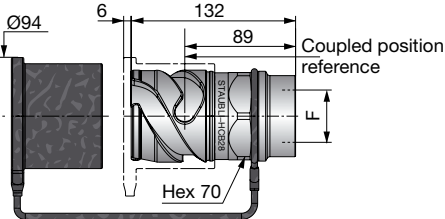
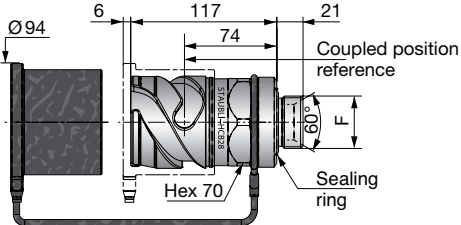

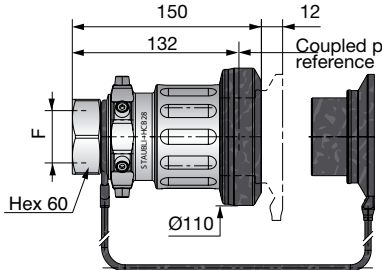
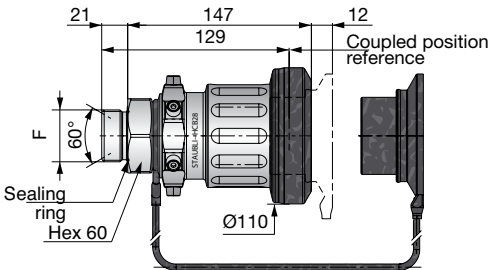

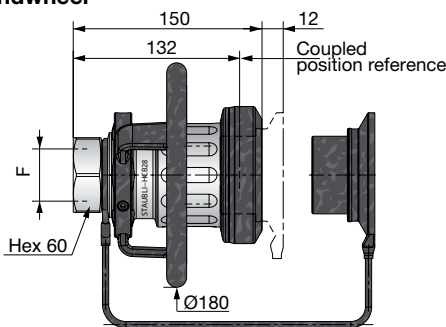
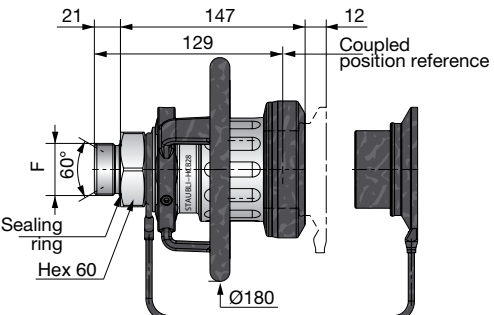
- protective sleeve:
 HCB 28: fluorocarbon
 HCB 37 and 50: polyacetal

- handwheel: aluminum alloy


- seals:
 - nitrile
 - fluorocarbon (JV)
 - ethylene-propylene (JE)
 - perfluoroelastomer (JK)

For applications using fuel, we have an aluminum version. Information available on request.

HCB 28 for DN 40 (1 1/2") hoses

	F	Part numbers	
Socket, female threaded  	G 1 1/4	HCB 28.1106/IC	
Socket BSP male thread Sealing : - 60° cone - sealing ring		G 1 1/4	HCB 28.1156/IC
Plug, female threaded  	G 1 1/4	HCB 28.7106/IC	
Plug BSP male threaded Sealing : - 60° cone - sealing ring		G 1 1/4	HCB 28.7156/IC
Plug, female threaded with handwheel  	G 1 1/4	HCB 28.7106/IC/VT	
Plug BSP male threaded with handwheel Sealing : - 60° cone - sealing ring		G 1 1/4	HCB 28.7156/IC/VT

Our plugs and sockets are delivered with protective dust caps.

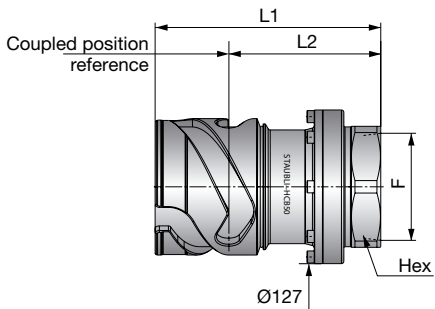
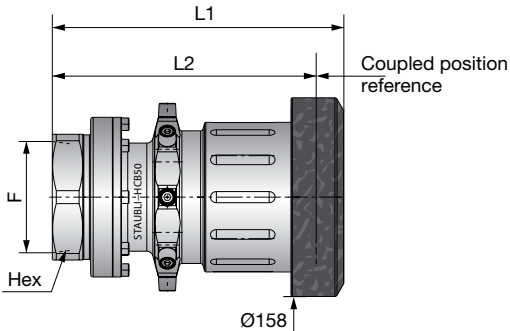
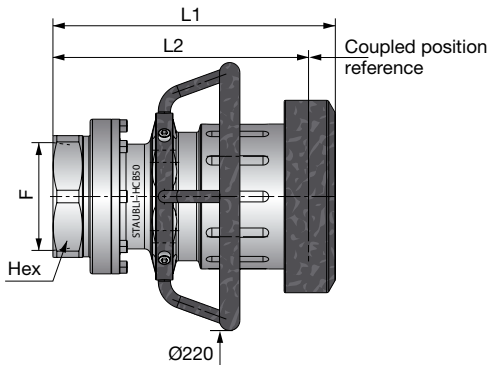
 Compatible with KES sealing kits: consisting of a retaining ring and O-ring to create a perfect seal between the socket and its base. Please order separately, consult our documentation RP0030301.



HCB 37 for DN 50 (2") hoses

	F	Part numbers
Socket, female threaded 	G 1 1/2	HCB 37.1107/IC
	G 2	HCB 37.1108/IC
Plug, female threaded 	G 1 1/2	HCB 37.7107/IC
	G 2	HCB 37.7108/IC
Plug, female threaded with handwheel 	G 1 1/2	HCB 37.7107/IC/VT
	G 2	HCB 37.7108/IC/VT


HCB 50 for DN 80 (3") hoses

	Hex.	L1	L2	F	Part numbers
Socket, female threaded 	70	192	131	G 2	HCB 50.1108/IC
	100	186.5	126	G 3	HCB 50.1109/IC
	100	186.5	126	NPT 3	HCB 50.1209/IC
Plug, female threaded 	70	237.5	215.5	G 2	HCB 50.7108/IC
	100	232	210	G 3	HCB 50.7109/IC
	100	232	210	NPT 3	HCB 50.7209/IC
Plug, female threaded with handwheel 	70	237.5	215.5	G 2	HCB 50.7108/IC/VT
	100	232	210	G 3	HCB 50.7109/IC/VT
	100	232	210	NPT 3	HCB 50.7209/IC/VT

Our plugs and sockets are delivered with protective dust caps.

Calculating your product reference according to the seal required:

- standard: Nitrile seal. Use the reference indicated in the table.
- other types of seals, add at the end of the part number:
 - **/JV** for fluorocarbon
 - **/JE** for ethylene-propylene
 - **/JK** for perfluoroelastomer.

 Compatible with KES sealing kits: consisting of a retaining ring and O-ring to create a perfect seal between the socket and its base. Please order separately, consult our documentation RP0030301.

For contact details: www.staubli.com/connectors/contacts



Global presence of the Stäubli Group

- Stäubli units
- Agents

International sales coordination

Stäubli Faverges - CS 30070 - F - 74210 Faverges - Tel.: +33 4 50 65 67 97 - Fax: +33 4 50 65 60 69 - E-mail: connectors.sales@staubli.com
www.staubli.com

Stäubli is a trademark of Stäubli International AG, registered in Switzerland and other countries. © Stäubli 13/09/2017. Printed on FSC paper.
We reserve the right to modify product specifications without prior notice. Photocredits: Stäubli.

FC1600300D

STÄUBLI